

Access Point SX-AP-4800AN Setup Guide

Thank you for purchasing the Access Point SX-AP-4800AN.

SX-AP-4800AN is the Access Point that supports IEEE 802.11a/b/g/n (up to 300Mbps data rate can be achieved) and can be used as a base station to connect your wireless client devices each other. In addition to high performance wireless connectivity, enterprise-level wireless security and power supply via PoE (Power over Ethernet) are supported.

This Setup Guide explains how to setup and use SX-AP-4800AN in a wireless network.

silex
technology



Package Contents

Following items are bundled with SX-AP-4800AN.

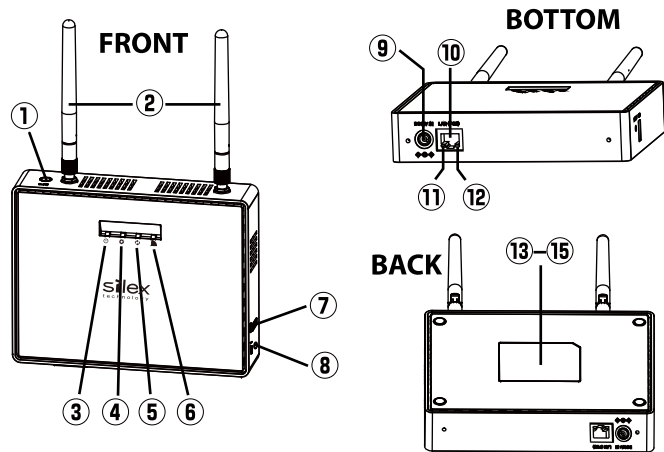
- SX-AP-4800AN
- AC adaptor
- Warranty booklet
- GPL license notice
- Wireless LAN antenna (2pcs)
- Rubber feet (4pcs)
- Setup Guide (this document)

Necessary Items

Following items are required.

- Network Cable
- PC to use for setup

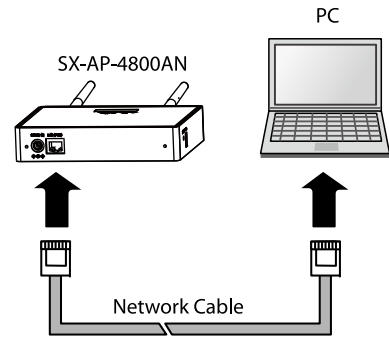
Parts and Function



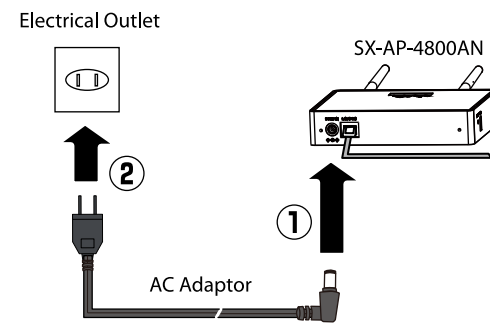
① Smart Wireless Setup Switch (SET2)	When pressed together with the one on your wireless device while SX-AP-4800AN is active, wireless configuration can be performed. (Smart Wireless Setup)
② Wireless LAN Antenna	Wireless antenna for wireless communication
③ Power LED(Green/Orange)	BLINK(Orange): Powering on ON(Green): Ready OFF: Powered off
④ Mode LED(Green/Orange/Red)	BLINK(Orange): Running in Configuration Mode BLINK(Green): Smart Wireless Setup is in progress ON(Green): Smart Wireless Setup is completed (* Turns off in 3 mins) ON(Red): Smart Wireless Setup failed (* Turns off in 3 mins)
⑤ Band LED(Green/Red)	ON(Green): Communicating in 2.4GHz band ON(Red): Communicating in 5GHz band OFF: Wireless communication disabled
⑥ WSTAT LED(Green/Red)	BLINK(Green): Wireless data communication is active BLINK(Red): DFS is running (Communication is disabled then)
⑦ USB Port	Connect a USB cable (A-type connector).
⑧ Push Switch (SET1)	Start in Configuration Mode : Press and hold this switch for more than 3 sec while SX-AP-4800AN is active. Factory default configuration: Press and hold this switch for more than 5 sec while turning on SX-AP-4800AN.
⑨ AC Connector	Connect an AC adaptor.
⑩ Network Port	Connect a network cable.
⑪ Link LED (Green)	Turns on when connected to a wired LAN.
⑫ Status LED(Yellow)	Blinks while communicating in a wired LAN.
⑬ Label (containing default values)	SSID (default value) Key Network key (default value) Authentication mode (default value) Encryption mode (default value) PIN Code PIN code (default value) Password Login password (default value) IP Address IP Address (default value)
⑭ E/A	Ethernet Address
⑮ S/N	Serial Number

Step1 Start in Configuration Mode

- 1 Connect SX-AP-4800AN and the PC (to use for setup) using a network cable.

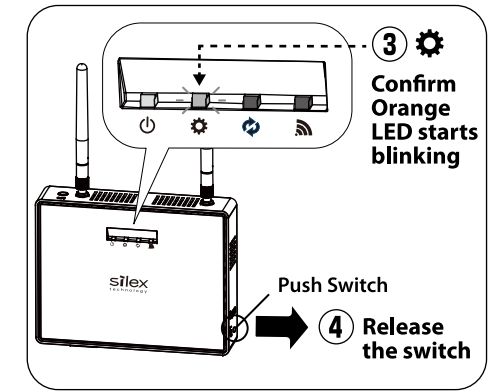
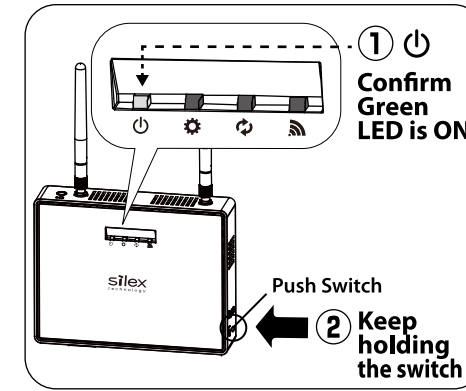


- 2 Connect the AC adaptor to SX-AP-4800AN, and the AC adaptor's plug to an electrical outlet.



* If wireless LAN is enabled on your PC, please disable it.

- 3 When the front Power LED (⏻) starts blinking in Orange and then turns on to Green, press and hold the push switch with a fine tipped object such as a pen or pencil. Release the push switch when Mode LED (⚙️) starts blinking in Orange (It may take 3sec until blinking). SX-AP-4800AN will start running in the **Configuration Mode** and you will be ready to configure SX-AP-4800AN from the PC.



Step2 Setup

- 1 Check that SX-AP-4800AN can communicate with the PC.

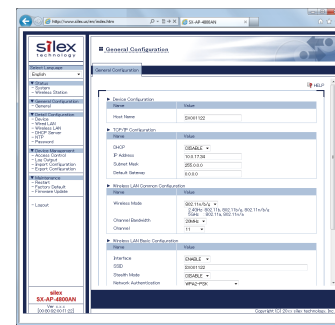
1. Confirm that an IP Address is properly configured on the PC.

How to check on Windows 7

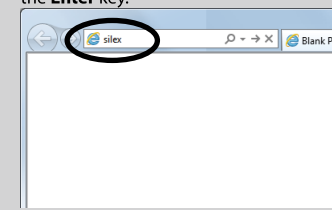
* See the taskbar icon (🌐) to check wired LAN is enabled on the PC.

2. Confirm that a wireless LAN is disabled on the PC.

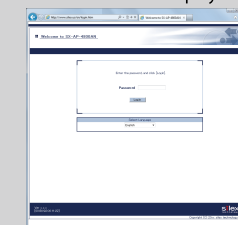
- 2 Start a Web browser (Internet Explorer, Safari, etc) on the PC you are using for the setup. The Web page of SX-AP-4800AN is displayed.



* If the Web page is not displayed, enter "silex" in the address bar of the Web browser and press the **Enter** key.



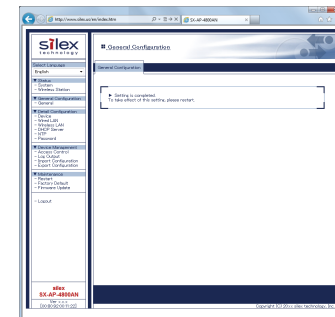
* If a password is set to SX-AP-4800AN, a password entry screen is displayed. Enter the password and click **Login**.
* This screen is not displayed at the initial setup. Go on to 3 then.



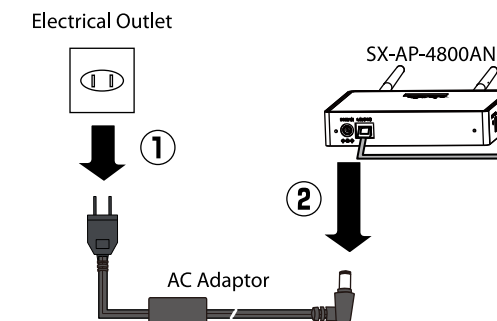
- 3 In the Web page, configure the necessary settings. For details on each setting, see **Basic Configuration** on the backside. When finished, click **Submit**.



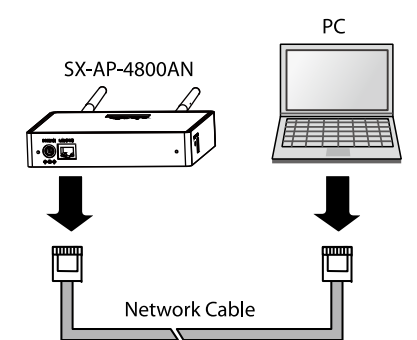
- 4 If "**Setting is completed**" is displayed, the configuration is finished.



- 5 Unplug the AC plug from the outlet and then AC adaptor from SX-AP-4800AN.

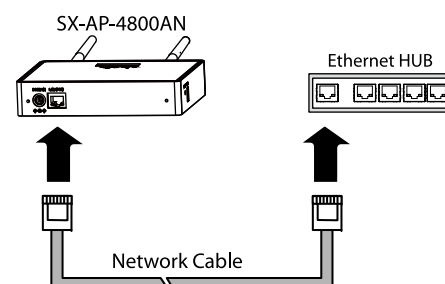


- 6 Unplug the network cable from SX-AP-4800AN and PC.



Step3 Connect to Network

- 1 Connect SX-AP-4800AN to the Ethernet Hub using a network cable.



- 2 Connect the AC adaptor to SX-AP-4800AN and the AC adaptor's plug to the electrical outlet.

