

SX-SDPGN

802.11b/g/n SiP for Mobile Applications



Lowest Cost 802.11n Wireless LAN Solution

The Silex SX-SDPGN (Qualcomm Atheros AR6103) is a third-generation Wireless LAN solution, featuring 802.11n. Based on the game-changing AR6003 Wireless LAN chip, the SX-SDPGN brings 802.11n throughput, range and power efficiency to portable devices including patient monitors, printers, handheld terminals and more.

The SX-SDPGN is ideal for high volume Wireless LAN applications. The SX-SDPGN is a System-in-Package (SiP) designed to be mounted directly on the device PCBA. This design approach minimizes cost by eliminating extra materials (i.e. PCB and connectors) and labor associated with a radio module or card.

Benefits:

- High RBOM integration enables design flexibility and lowest cost
- Smallest foot print for space constrained devices
- Direct antenna connection eliminates the need for complicated RF tuning and calibration

Solution Highlights:

The SX-SDPGN incorporates all the features and performance of the award winning Qualcomm Atheros ROCm® AR6003 solution, including:

- Single-stream 802.11n for faster downloads, longer range, and lower power consumption
- The highest actual end-user throughput-over-range utilizing advanced 802.11n features including: full & half guard interval, hardware accelerated frame aggregation, space time block coding (STBC), and low density parity check (LDPC) encoding
- Highest level of on-chip integration using CMOS technology
 - Radio/MAC/Baseband
 - Patented Qualcomm Atheros Efficient Power Amplifier (EPA™) for high transmitter output power
 - Integrated power management unit
- Direct Connect™ AP Mode technology
- Qualcomm Atheros Universal Wireless Cooperation for enhanced Wireless/Bluetooth Cooperation

Features:

- IEEE 802.11b/g/n 2.4 GHz
- Integrated CMOS Efficient Power Amplifier (EPA™), LNA
- Adaptive radio biasing for low-power or high-performance modes
- Industry-leading receive sensitivity
- No external EEPROM required for RF calibration
- Integrated RISC processor
- Support for industry standard QoS schemes (802.11e, WMM, WMM-PS)
- Hardware accelerated security, including WAPI (China)

Target Applications:

The SX-SDPGN is ideal for any high volume portable device where there is a requirement to achieve the lowest BOM cost or smallest foot print. Implementation of a System-in-Package solution is recommended for companies that have RF hardware expertise. Software driver and supplicant development is also generally required.

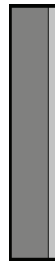
Specifications:

Product Name	SX-SDPGN-2830
Chipset	Qualcomm Atheros AR6103
Operating Voltage	VDD 3.3V, AVDD 1.8v
Dimensions	8.3 x 9.2 x 1.015 mm
Storage Temperature	-45 to +135 degrees C
Operating Temperature	-20 to +85 degrees C

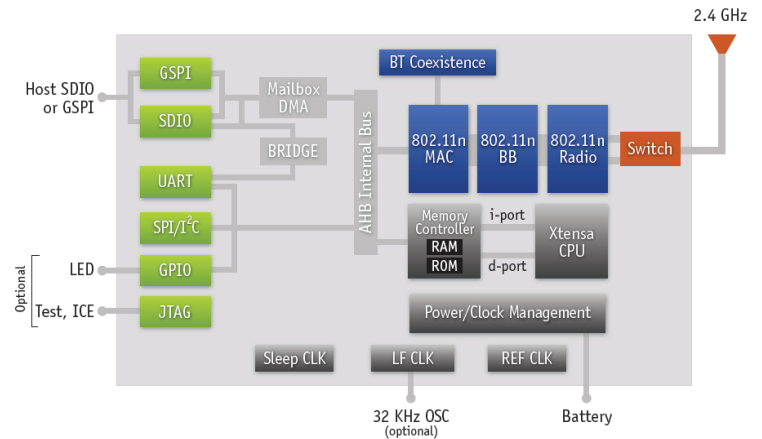
Dimensions and Architecture


9.2 mm

8.3 mm



1.015 mm


General Specifications

On-Chip Functionality:	Single-chip MAC/BB/RF/PA/LNA
Frequency Band:	2.4 GHz
Network Standard:	802.11b, 802.11g, 802.11n (1-stream)
Modulation Modes:	CCK and OFDM with BPSK, QPSK, 16 QAM, 64 QAM
Hardware Encryption:	WEP, WPA/WPA2, (AES and TKIP), WAPI
Quality of Service (QoS):	WMM, WMM-PS, 802.11e

Interfaces

Communications:	SDIO 2.0
Supported Data Rate:	
IEEE 802.11b	1 - 11 Mbps
IEEE 802.11g	6 - 54 Mbps
IEEE 802.11n	7.2 - 72.2 Mbps
Bluetooth Coexistence	Supports 2-, 3-, and 4-wire handshaking
Physical Specifications	8.3 mm x 9.2 mm LGA Package

Driver Support
Reference Drivers:

- Linux
- Android
- Windows Embedded Compact 7
- QNX Neutrino
- Green Hills Intergrity
- Mentor Graphics Nucleus

Ordering Information

SX-SDPGN-2830:	Bulk Packaged, Tape / Reel
SX-SDPGN-2830-SP:	10 Unit Sample Pack
SX-6K3-EVK-SB:	AR6003 Single Band Evaluation Kit

silex technology is a registered trademark of silex technology, Inc. Other product or brand names may be registered trademarks or trademarks of their respective owners. Technical information and specifications are subject to change without notice. © 2012 silex technology, Inc. All rights reserved.

silex global sales & support locations