

Wireless Bridge SX-BR-4600WAN Wireless Bridge SX-BR-4600WAN2 Setup Guide

Thank you for purchasing the Wireless Bridge SX-BR-4600WAN / SX-BR-4600WAN2 (hereinafter, "This product"). This product is the wireless bridge which can add a wireless connection feature to non-wireless devices with a 10/100/1000BASE-T wired LAN interface. In addition to printers with a wired LAN port, various devices such as surveillance cameras, etc. can easily be connected to a wireless LAN. Also, wireless security feature of this product will allow secure use of your network devices.



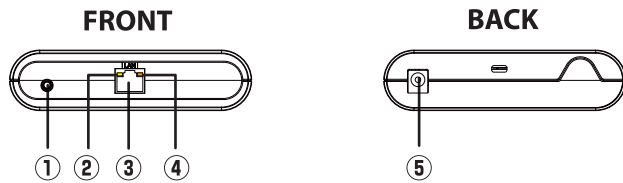
This Setup Guide explains how to setup and use this product in a wireless network. For details, refer to the user's manual. User's Manual can be downloaded from our website.

Package contents

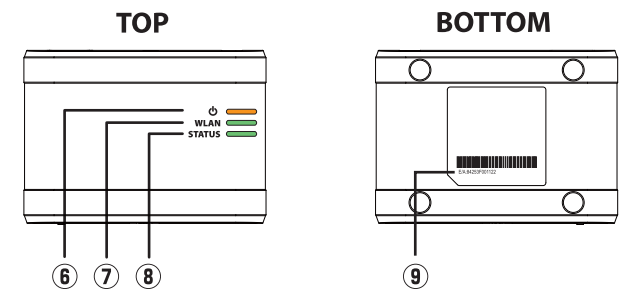
Following items are bundled with this product.

- Wireless Bridge SX-BR-4600WAN / SX-BR-4600WAN2
- Power supply
- Network cable
- Setup Guide (this document)
- Warranty booklet
- GPL license notice (Distribution of source code licensed under the open source software license)

Parts and function



① Push switch	Starts this product in Configuration Mode: Press and hold the push switch for 5 sec while this product is active. Configures this product using push switch: Press and hold the push switch for 10 sec while this product is active. Resets this product to factory default settings: Press and hold the push switch while turning on this product. Release the switch when the Link LED turns to Orange and then Green.
② Status LED (Yellow)	BLINK : Waiting for connection when Link LED is OFF. Transferring data when Link LED is ON.
③ LAN port	Connects to the network cable.
④ Link LED (Green/Orange)	ON(Green) : Connected to 10BASE-T/100BASE-TX network ON(Orange) : Connected to 1000BASE-T network
⑤ Power connector	Connect AC adapter.



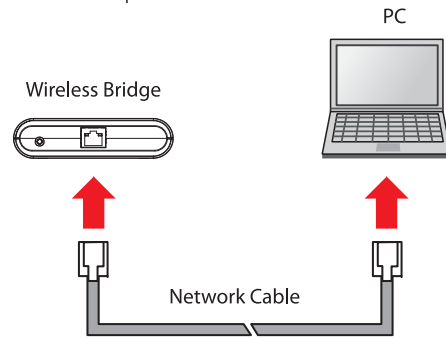
⑥ POWER LED (Orange)	Turns ON when this product is powered on.
⑦ WLAN LED (Green)	ON : Running in Infrastructure mode. OFF : Running in Ad hoc mode. BLINK : Processing setup using the Push switch. * Blinks together with STATUS LED when running in Configuration Mode .
⑧ STATUS LED (Green)	ON : A network connection is established. BLINK : Transferring data. * Blinks together with WLAN LED when running in Configuration Mode .
⑨ Ethernet address	The Ethernet (MAC) Address of this product is found on the bottom.

Configuration Method 1 - Setup Using Configuration Mode

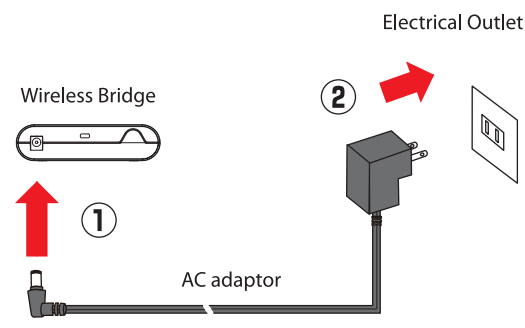
If you are using a wireless router supporting WPS (Wi-Fi Protected Setup), please start from **Configuration Method 2 - Easy Setup Using Push Switch** on the back.

Step1 Start in Configuration Mode

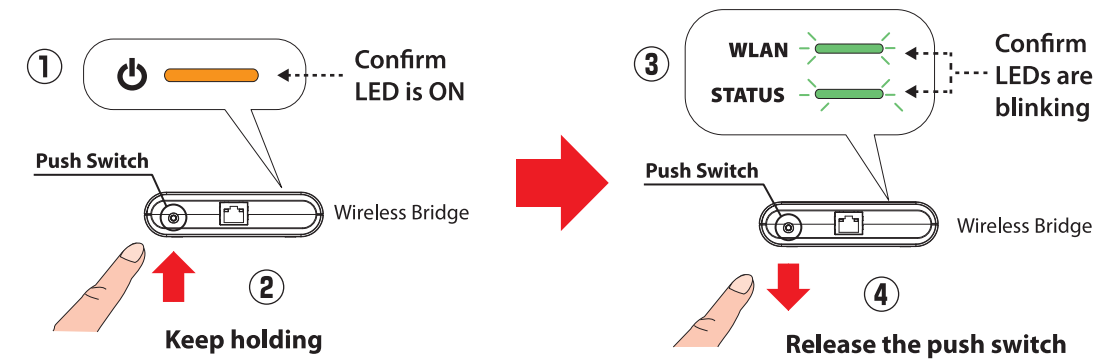
- 1 Connect this product to the PC using the network cable that came with this product.



- 2 Connect the AC adapter to this product, and the AC adapter's plug to an electrical outlet.



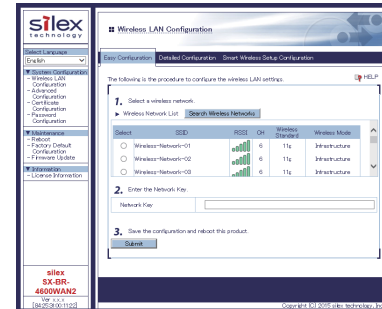
- 3 When the POWER LED (at the top) turns ON, press and hold the push switch (at the front). Release the push switch when WLAN LED and STATUS LED start to blink together (It may take 20sec until blinking). This product will start running in the **Configuration Mode** then. Now you can configure this product from the PC that has been connected to this product via a network cable.



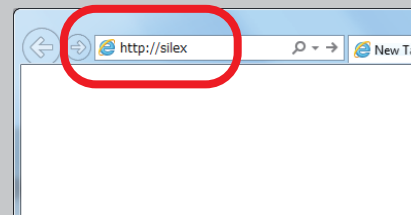
* If wireless LAN is enabled on your PC, please disable it.

Step2 Setup

- 1 Start a Web browser (Internet Explorer, Safari, etc) on the PC, you are using for the setup. The Web page of this product is displayed.



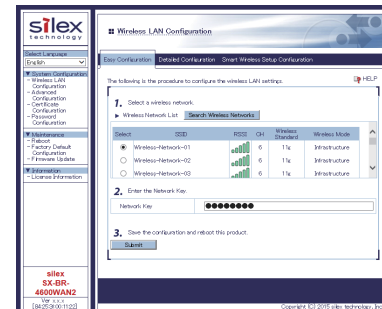
* If the Web page is not displayed, enter "http://silex" in the address bar of the Web browser and press the **Enter** key.



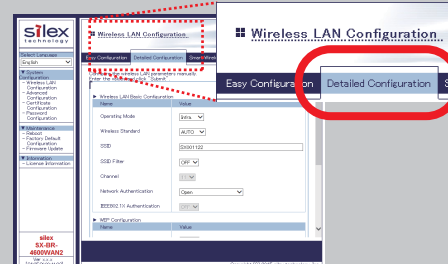
* If a password is set to this product, a password entry screen is displayed. Enter the password and click **Login**.
* This screen is not displayed at the initial setup. Go on to 2 then.



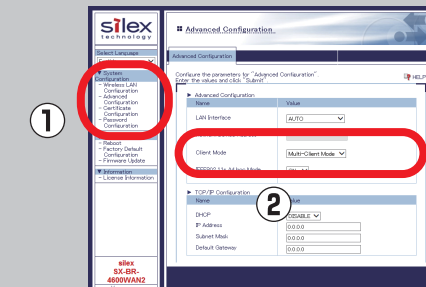
- 2 In the Web page, select the destination network from the **Wireless Network List** and enter the WEP Key or Shared Key for the **Network Key**. Click **Submit** when finished.



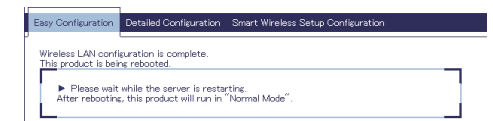
* If the destination network is not displayed in the **Wireless Network List**, click **Detailed Configuration** at the top of the page. In the page displayed, enter the wireless settings of the network that you wish to connect this product to, and click the **Submit** button. Refer to the HELP for details on each setting.



* To connect multiple network devices using an Ethernet HUB, click **Advanced Configuration** and select **Multi-Client Mode** for **Client Mode**.



- 3 Once a message appears indicating that the configuration has been completed, close the Web browser.

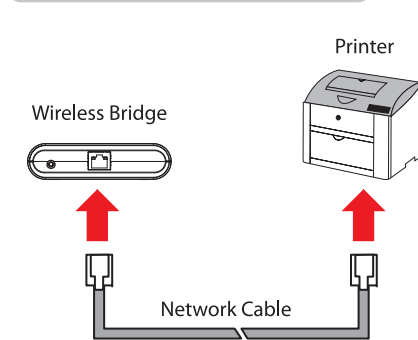


- 4 The configuration has now been completed. To give a wireless feature to the same PC (the one you have been using for configuration), please restart the PC. To give a wireless feature to the other device, turn off both this product and the PC, and remove this product from the PC. Refer to **Step3** to connect this product to the network device using a network cable.

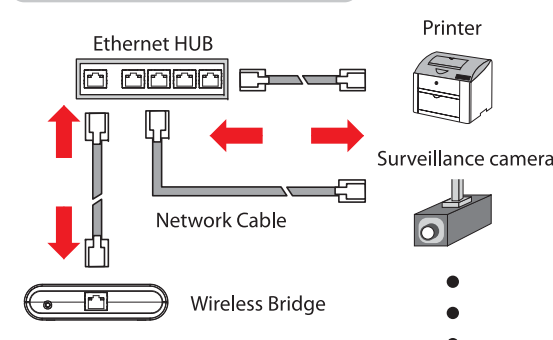
Step3 Connect to the network device you wish to use wirelessly

- 1 Turn off the network device that you wish to use wirelessly via this product. Connect it to this product using the network cable.

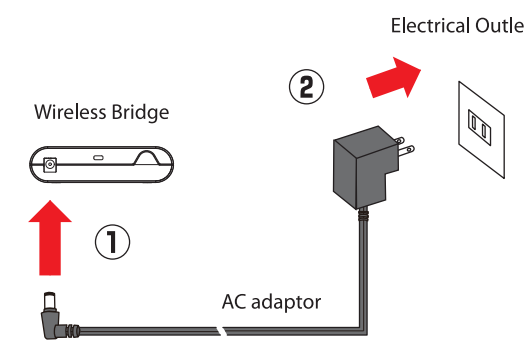
Sample connection in Single Client Mode



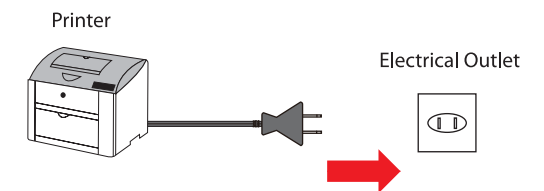
Sample connection in Multi-Client Mode



- 2 Connect the AC adapter to this product and the AC adapter's plug to the electrical outlet.



- 3 Turn on the network device connected to this product.



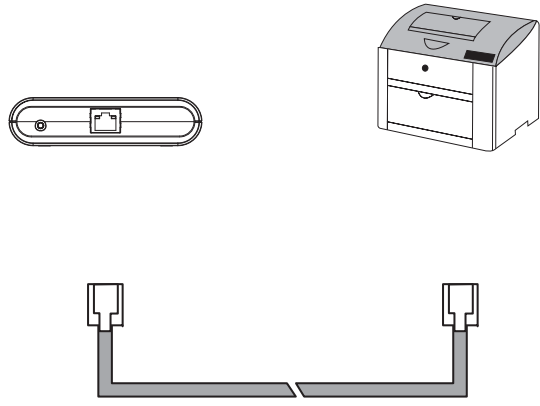
* Some network devices may require additional network settings. In such cases, refer to the manual that came with the network device.
* When turning on this product and network devices, be sure to turn on this product first. Also, do not press the push switch then.

Configuration Method 2 - Easy Setup Using Push Switch

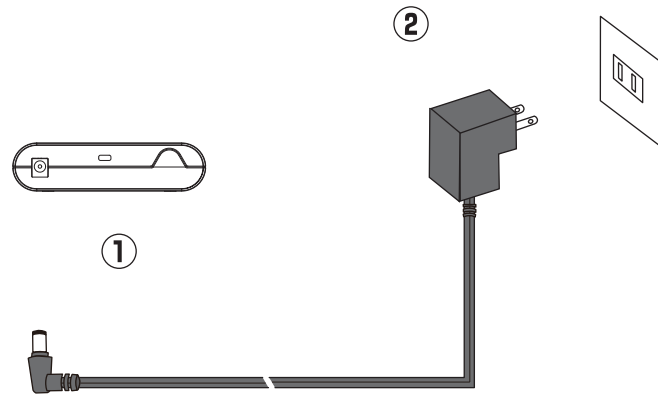
!NOTE

To perform the wireless configuration using WPS, your wireless router must support WPS. Please make sure that a wireless router supporting WPS is set up in your environment. While performing this configuration, please temporarily move this product closer to your wireless router to make it easier for both devices to communicate. Depending on your wireless router, WPS may need to be enabled manually. For details, refer to the operation manual that came with your wireless router. If a security feature such as MAC Address filtering is enabled on your wireless router, disable it temporarily so that this product can communicate with your wireless router. If you plan to connect two or more network devices to this product using an Ethernet Hub, please go back to **Config**

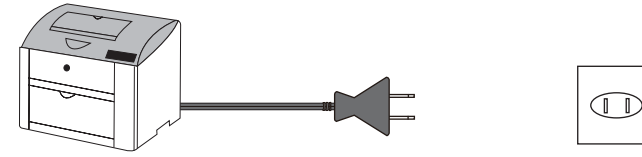
1



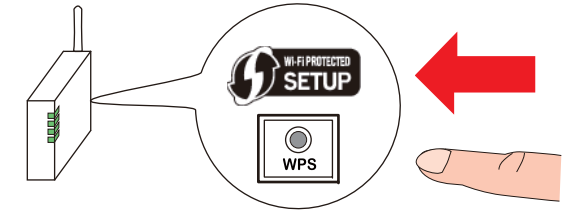
2



3

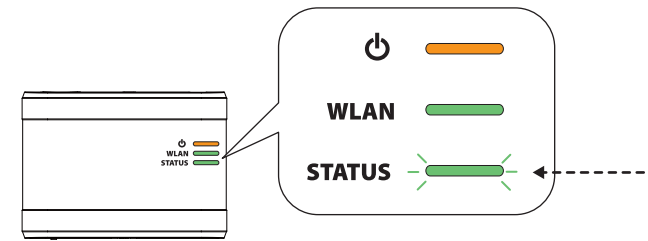


4



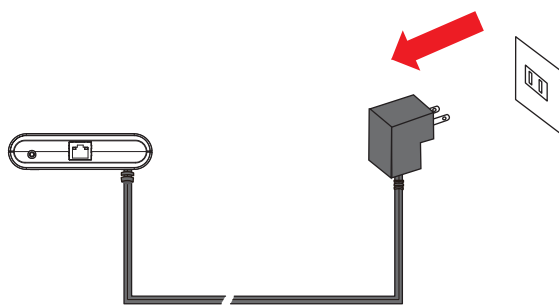
5

6

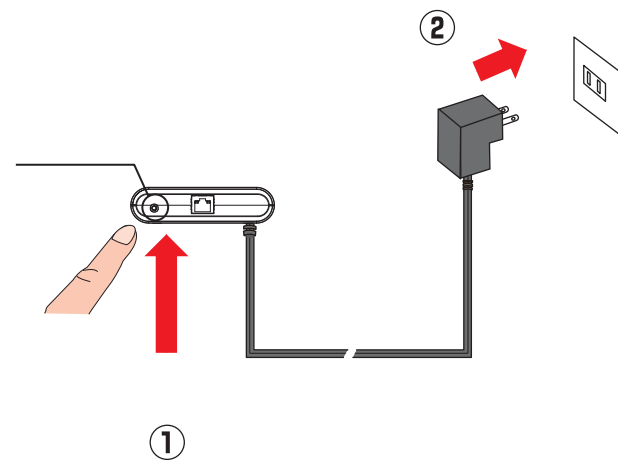


X

1



2



3

