

Network Display Adapter SX-ND-4350WAN Plus Setup Guide

November 2017



English



WA104240XA

Thank you for purchasing the Network Display Adapter SX-ND-4350WAN Plus. This Setup Guide provides information on how to set up and use the SX-ND-4350WAN Plus.

* This Setup Guide has been translated to some other languages. Other language versions of this Setup Guide can be found on our website. (<http://www.silexeurope.com/>)

Package Contents

- SX-ND-4350WAN Plus
- AC adaptor
- Warranty Booklet
- Antenna Installation Guide
- GPL notice sheet
(Distribution of source code licensed under the GPL license)
- Rubber feet (4)
- Setup Guide (this document)

Step 1

Getting Started

1-1. Downloading the necessary items

This section explains how to download the necessary utilities and user's manual from our website.

1 Access the URL below from the PC you are using to configure the SX-ND-4350WAN Plus.

USA : silex technology america, Inc.
URL : <http://www.silexamerica.com/>

Europe : silex technology europe GmbH
URL : <http://www.silexeurope.com/>

2 Go to the **Support** page and select the product model.

Product Model	SX-ND-4350WAN Plus
---------------	--------------------

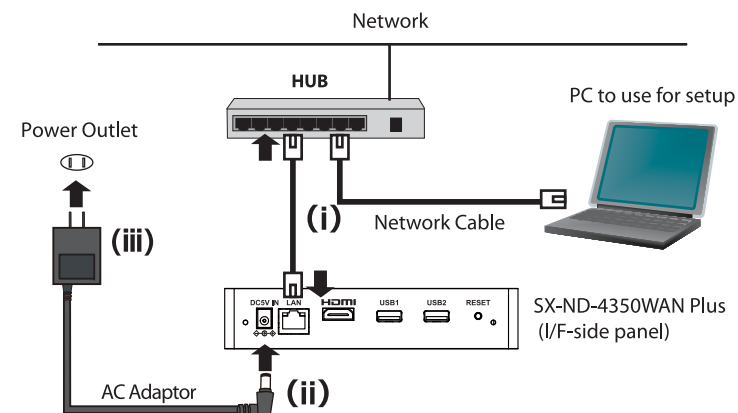
3 Download the utilities and user's manual below and extract them on your PC.

Utility	NetDA Setup
	SX Virtual Link Display for Education
User's Manual	SX-ND-4350WAN Plus User's Manual
	SX Virtual Link Display for Education User's Manual

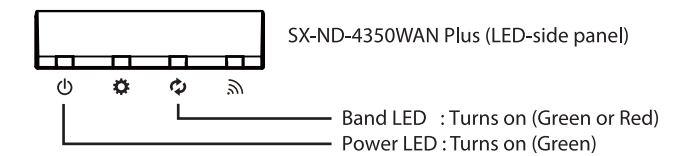
1-2. Connecting the SX-ND-4350WAN Plus to the network

1 Connect both the SX-ND-4350WAN Plus and the PC to the network via a network cable (i).

Connect the AC adaptor to SX-ND-4350WAN Plus (ii) and plug it into a power outlet (iii).



2 Check that the LED lights are as follows:



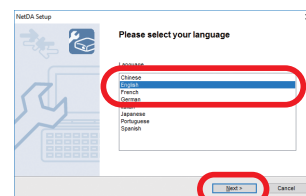
1-3. Setup

This section explains how to configure the SX-ND-4350WAN Plus using the **NetDA Setup** utility that you previously downloaded.

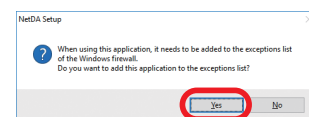
1 In the PC you are using for configuration of the SX-ND-4350WAN Plus, double-click **Setup.exe** in the **NetDA Setup** folder.

* If the User Account Control screen is displayed, click **Yes**.

2 Select your language and click **Next**.

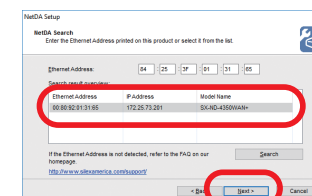


3 Click **Yes**.



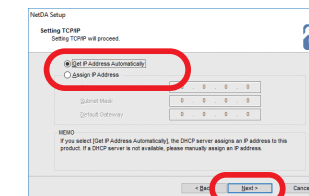
* Follow the instructions on the screen until you reach the screen at **4**.

4 Select the SX-ND-4350WAN Plus and click **Next**.



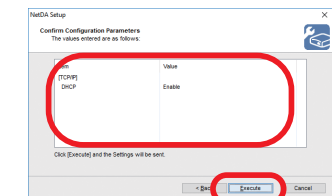
* Check the followings if SX-ND-4350WAN Plus is not displayed in the list:
- Is the network setting (IP Address) properly configured on the PC?
- If a security software program is active on your PC, disable it temporarily.

5 Configure the IP Address for SX-ND-4350WAN Plus.



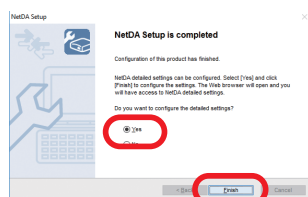
* To assign an IP Address automatically using DHCP server, select **Get IP Address Automatically** and click **Next**.
* If there are no DHCP servers on your network, enter the IP Address and subnet mask and click **Next**.

6 Check the settings and click **Execute**.



* It may take more than 10sec until the configuration is completed. Please wait for a while.

7 IP Address configuration is now completed. Select **Yes** and then click **Finish**.



8 The login page is displayed. Click **Login**.



* By default, no password is configured on the SX-ND-4350WAN Plus.

9 The Web page of the SX-ND-4350WAN Plus is displayed. From the left menu on the Web page, click **General Configuration - General**.

* If the Web page is not displayed, refresh the Web browser.

10 Configure the settings and click **Submit**.

* The explanation of each configuration item can be found on **HELP** window. To open the **HELP** window, click **HELP** on top right of the Web page.
* To protect the settings, it is recommended to set (or change) the password.
* To ensure higher security, please change the SSID of wireless LAN configuration.
* Please keep the password, SSID and security key (WEP Key or Pre-Shared Key) in case you need them later.

11 For settings to take effect, you need to restart the SX-ND-4350WAN Plus. Click **Restart** to restart the SX-ND-4350WAN Plus.

12 After the restart is finished, unplug the network cable from the SX-ND-4350WAN Plus.

The configuration has been completed.

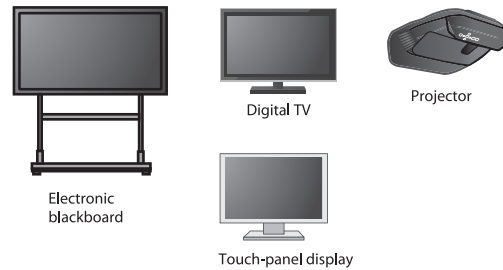
Step 2

Using the Screen Transfer Feature

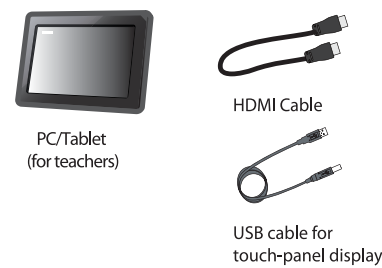
2-1. Connecting an electronic blackboard to the SX-ND-4350WAN Plus

This section explains how to connect the display devices to the SX-ND-4350WAN Plus.

Compatible display devices



1 Prepare the following items.

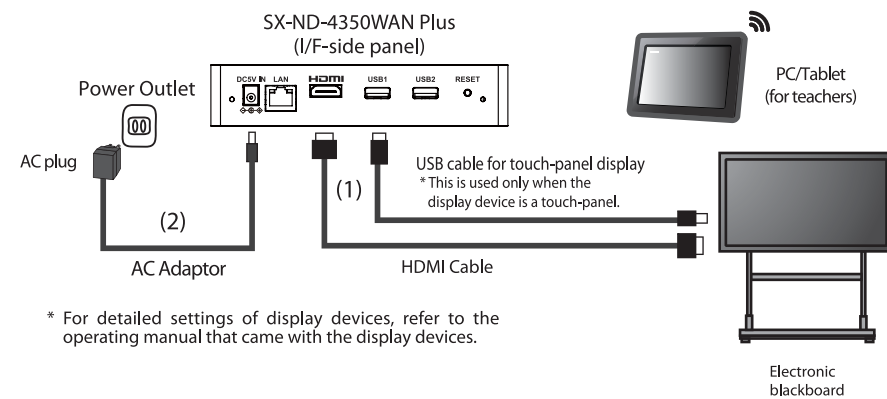


2 Connect one end of the HDMI cable to the SX-ND-4350WAN Plus and the other end to the display device. (1)

If the display device is a touch-panel, connect the SX-ND-4350WAN Plus and the display device via a USB cable. (1)

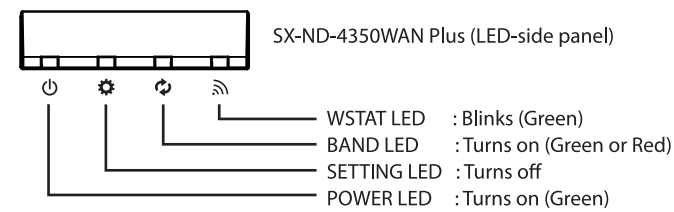
Connect the AC adaptor to the SX-ND-4350WAN Plus and plug it into a power outlet. (2)

Cable connection



* For detailed settings of display devices, refer to the operating manual that came with the display devices.

Check that the LED lights are as follows:



* The color of the BAND LED differs depending on the wireless mode setting configured on the SX-ND-4350WAN Plus.
- When connected in 5GHz band : Turns on (Red)
- When connected in 2.4GHz band : Turns on (Green)
(In factory defaults, the wireless mode is set to 5GHz band.)

2-3. Connecting from a PC/tablet of teacher

* In the following explanations, Windows 10 is used as an example.

1 Click on taskbar at the bottom-right of the screen to show a list of Access Points.

2 Select the SSID configured on the SX-ND-4350WAN Plus from the list and click **Connect**.

Enter the security key configured on the SX-ND-4350WAN Plus and click **Next**.

* If **Connect automatically** is checked, the PC will automatically be connected to the SX-ND-4350WAN Plus every time the PC is turned on.

Other Methods:

The other setup methods are as shown below. For details, refer to the user's manual.

Wireless configuration using the Smart Wireless Setup switch on the SX-ND-4350WAN Plus

Wireless configuration using the configuration Web page of the SX-ND-4350WAN Plus (Push Button and PIN Code methods)

2-4. How t

Customer Support

USA : silex technology america, Inc.

E-mail : support@silexamerica.com
URL : <http://www.silexamerica.com/>
Phone : +1-866-765-8761

Europe : silex technology europe GmbH

E-mail : support@silexeurope.com
URL : <http://www.silexeurope.com/>
Phone : +49 (0)2154-88967-0